

# 5 Gallon Heavy Duty - 20 Liters Automatic Waterer

## Instructions:

Install float valve as shown in illustration. (Do Not Over Tighten) Connect water supply line and fill.

Secure cover with screws.

## Instructions:

Installer la soupape de flotteur selon l'illustration. (Faire ne Serrer pas trop) Connecter de la ligne de provision d'eau et remplir Obtenir la couverture avec les vis.

## Las Instrucciones:

Instale válvula de flota como mostrado en la ilustración. (Haga no Sobre Aprieta) Conecta la línea de abastecimiento de agua llena.. Asegure la cubierta con tornillos.

## Tips:

- Use a "Y" connector to split your faucet water supply.
- Shorter hose will reduce heat build up, or bury a longer hose to keep water cooler.
- Clean Automatic Waterer regularly to maintain best performance of your pets fresh water supply!
- Never leave your pet unattended for more than 8 hours. Disruption of water supply to hose will result in your pet being without drinking water.

The float valve mechanism will fill bowl automatically as your pet drinks. The Automatic Watering Bowl features a simple on step connect to any garden hose.

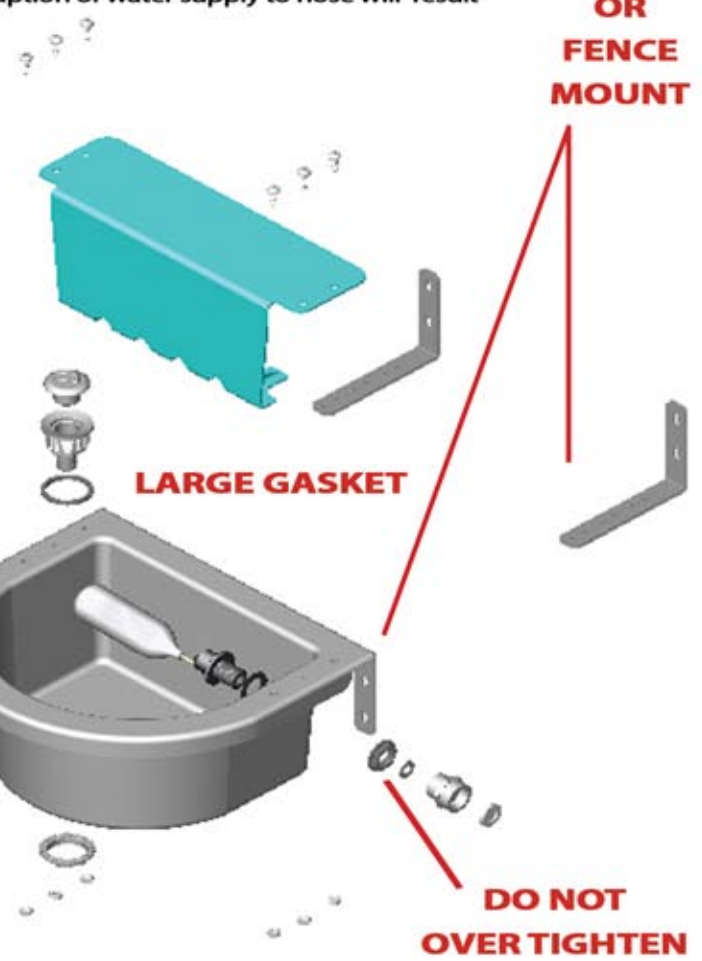
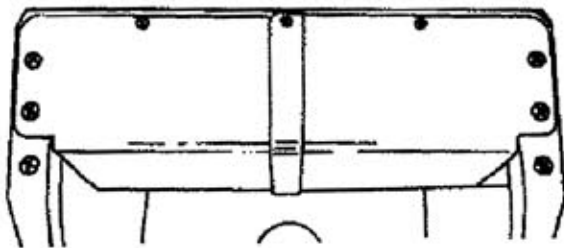
info@rpi-us.com or 850-526-7655 Central Time Zone

Visit us at [www.h2oflowproducts.com](http://www.h2oflowproducts.com)

## NOT RECOMMENDED FOR INDOOR USE

(Hose Not Included)

**SECURE LID WITH SCREWS**



Distributed By RPI  
Marianna, FL 32448 U.S.A.  
850-526-7655  
[www.h2oflowproducts.com](http://www.h2oflowproducts.com)

Ref: Mr. Aqua  
Item Number: AH010PBL  
MADE IN USA  
Patent Pending

